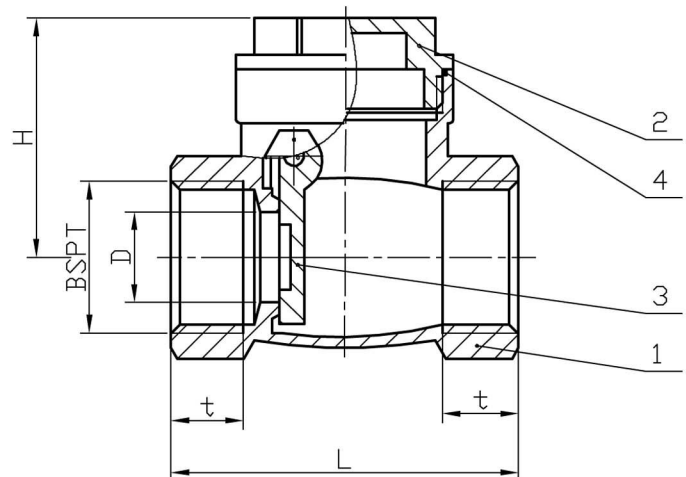


Brass Swing Check Valve Screwed End BSPT Class 125



Features : The valve is designed for vertical, horizontal or angled installation for use in residential and commercial plumbing, sanitary, autoclaves, pump and compressed air systems.

Application : Water, Oil,

Working Temperature : 100 °C

Max. Pressure : 20 bar

Thread : BSPT (BS 21)

Dimension (mm)

Size	D	t	L	H	Wt. (g)
1/2"	14	10.5	49	34.5	157
3/4"	18	13.5	58	38	229
1"	23	15	68	47	360
1.1/4"	30	17	76	50	563
1.1/2"	36	17.5	88	60	776
2"	44	21.5	103	65.5	1173

Material

No.	Part Name	Material
1	Body	Brass
2	Bonnet	Brass
3	Disc	Brass
4	Seal	PTFE