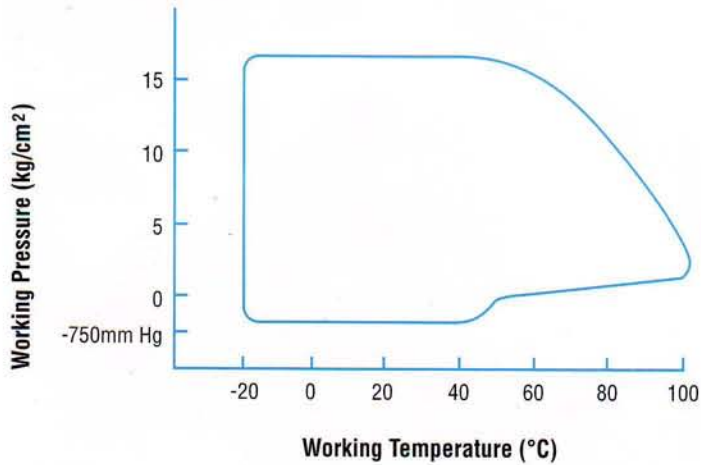


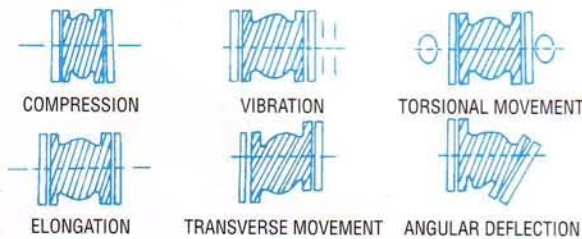
OPERATING CONDITIONS

(based on Neoprene Rubber Material)

	32mm-300mm	350mm-600mm
Operating Pressure	16kg/cm ² (228 psi)	8kg/cm ² (114 psi)
Burst Pressure	over 50kg/cm ² (711 psi)	over 30kg/cm ² (427 psi)
Negative Pressure	750mm Hg	
Working Temperature	-20 C to 100 C (-4 F to 212 F)	
Working Fluids	Water, Hot Water, Sea Water, Compressed Air, Steam, Solvent, Acid, Weak Alkalies.	



ACCEPTANCE OF MOTION



PIPE SIZE	50 PSI	100 PSI	150 PSI	200 PSI	225 PSI	300 PSI
1					X	X
1-1/4					X	X
1-1/2					X	X
2					X	X
2-1/2					X	X
3					X	X
4					X	X
5					X	X
6				X	X	X
8				X	X	X
10				X	X	X
12			X	X	X	X
14			X	X	X	X
16		X	X	X	X	X
18		X	X	X	X	X
20		X	X	X	X	X
22		X	X	X	X	X
24		X	X	X	X	X
28		X	X	X	X	X
30		X	X	X	X	X

*NOTE: X USE CONTROL TIE RODS

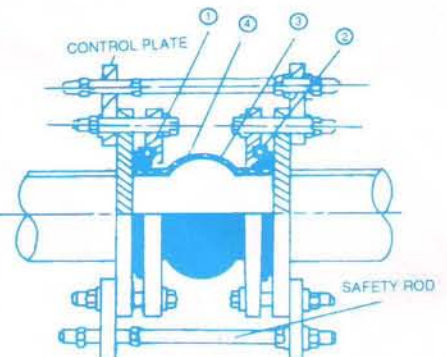
DIMENSION AND ALLOWABLE TOLERANCE / MOVEMENT

Nominal Bore (Inner Diameter) Size	Length of Bellows (mm)		Transverse Movement +/- mm	Axial Elongation mm	Axial Compression mm	Angular Deflection
	Face to Face Distance mm	Total Acceptable Tolerance +/- mm				
32mm (1 1/4")	95	3	5	5	10	15°
40mm (1 1/2")	95	3	5	5	10	15°
50mm (2")	115	3	10	10	10	15°
65mm (2 1/2")	125	3	10	10	10	15°
80mm (3")	150	3	10	10	15	15°
100mm (4")	150	3	10	10	15	15°
125mm (5")	150	3	10	10	15	15°
150mm (6")	150	3	10	10	20	15°
200mm (8")	150	3	10	10	20	15°
250mm (10")	200	3	20	15	20	15°
300mm (12")	205	3	20	15	20	15°
350mm (14")	205	3	20	15	20	15°
400mm (16")	210	3	20	15	25	15°
450mm (18")	210	3	20	15	25	15°
500mm (20")	205	3	20	15	25	15°
600mm (24")	255	3	25	20	25	15°

* Although the dimensional allowance for installation is as given in the table above, when installing this connector for suction purposes do not allow for its elongation.

STRUCTURE

Item	Part	Material
1	Flange	* Mild Steel
2	Wire	Hard Steel Wire
3	Body	** Heat Resisting Rubber
4	Body	Nylon



* Flange material can be changed to Ductile Iron (BS 2789) Grade 500-7 Epoxy Coating.

** Standard rubber material uses Neoprene, may be replaced by other special synthetic rubber.

QFSC

SINGLE SPHERE JOINTS (model: QFSC)